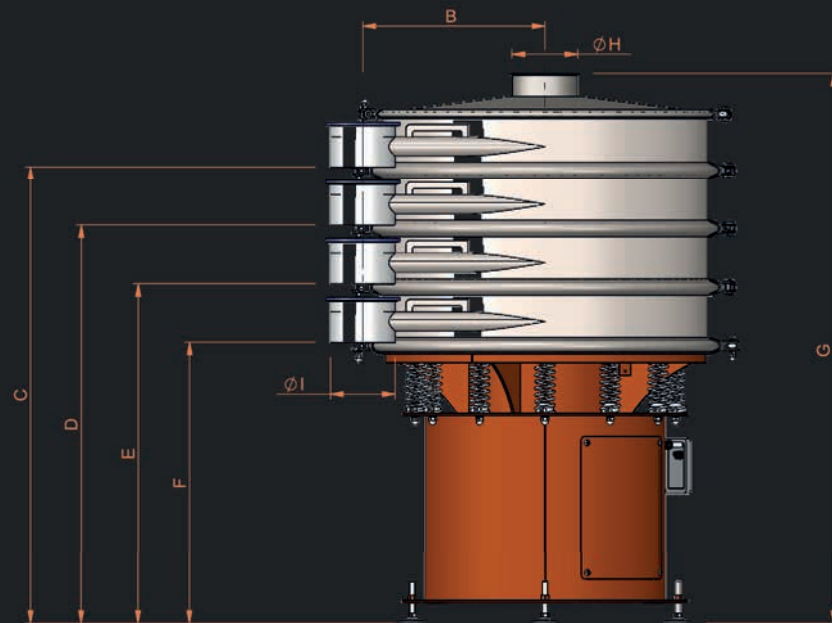
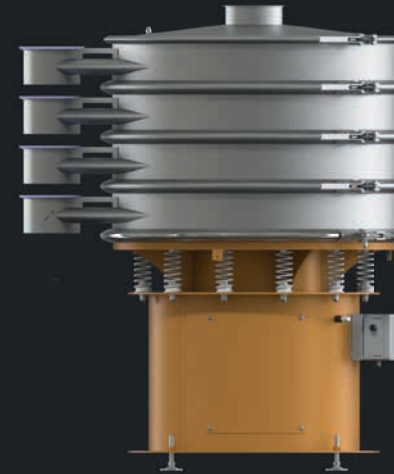
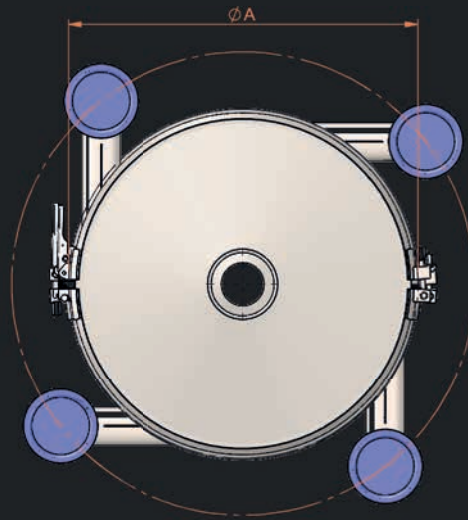


SM MULTISCREEN 800, 1200, 1500

THIRD ANGLE PROJECTION



DIMENSION (mm)	A	B	C	D	E	F	G	H	I
SM800-1S	800	550	---	---	810	670	1030	150	150
SM800-2S	800	550	---	950	810	670	1170	150	150
SM800-3S	800	550	1090	950	810	670	1310	150	150
SM1200-1S	1170	760	---	---	840	670	1100	250	200
SM1200-2S	1170	760	---	1010	840	670	1270	250	200
SM1200-3S	1170	760	1180	1010	840	670	1440	250	200
SM1500-1S	1470	935	---	---	870	670	1160	250	200
SM1500-2S	1470	935	---	1070	870	670	1360	250	200
SM1500-3S	1470	935	1270	1070	870	670	1500	250	200

SCREEN DIAMETER = REFER TO 'A' DIM
 FLEXIBLE CONNECTIONS TO INLET & OUTLETS - MOBILE VERSION AVAILABLE.

ELECTRICAL	SM800	SM1200	SM1500
VOLTAGE	110 / 240 / 380-460	110 / 240 / 380-460	110 / 240 / 380-460
FREQUENCY	50 / 60 hz	50 / 60 hz	50 / 60 hz
POWER	0.48 / 0.53 kw	0.6 / 0.68 kw	2.2 / 2.45 kw
PHASE	3	3	3
ATEX	YES	YES	YES