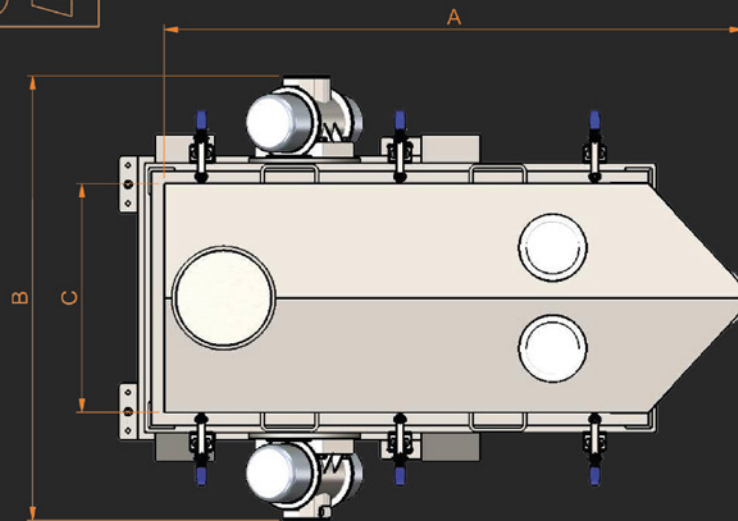


1 2 3 4 5 6

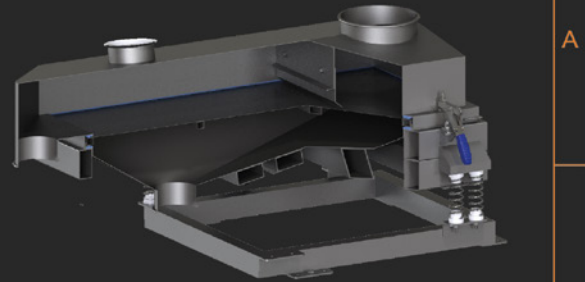
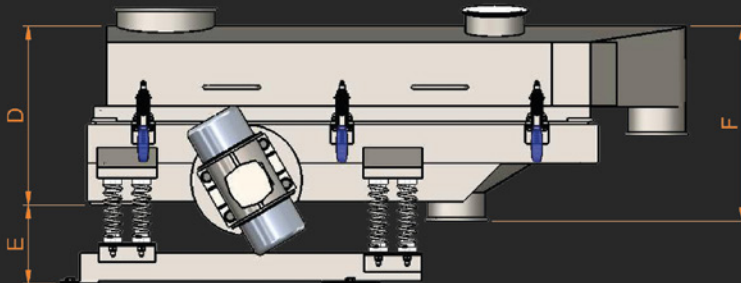
THIRD ANGLE PROJECTION



SM SEGREGATOR 42 & 53



TYPICAL VERSION SHOWN - UNIT CAN BE OPEN OR ENCLOSED



DIMENSION	SM SEG 42 (mm)	SM SEG 53 (mm)
A	1550	1850
B	1160	1490
C	600	900
D	555	555
E	165	165
F	500	500

SCREEN SIZE = 1245 x 645mm & 1540 x 915mm

FOR ADDITIONAL DECKS ADD 180mm PER EXTRA SCREEN

BESPOKE FRAMES AVAILABLE - MOBILE OR STATIC

INLET & OUTLETS CONFIGURED TO SUIT INSTALLATION - TYPICAL VERSION SHOWN

ELECTRICAL	SM SEG 42	SM SEG 53
VOLTAGE	110 / 240 / 380-460	110 / 240 / 380-460
FREQUENCY	50 / 60 hz	50 / 60 hz
POWER		
PHASE	3	3
ATEX	YES	YES