

1

2

3

4

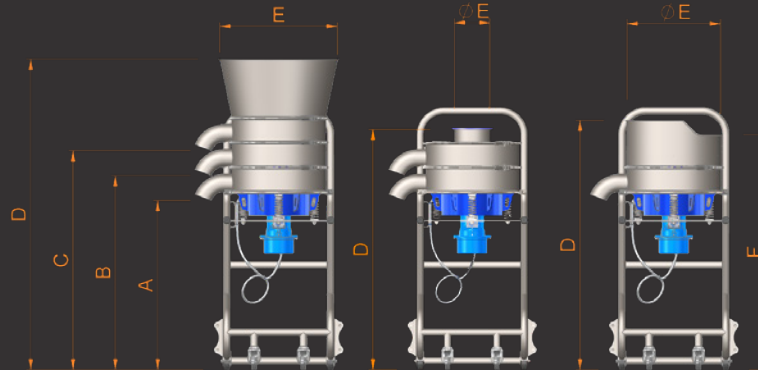
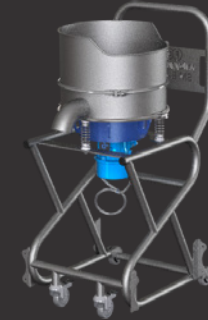
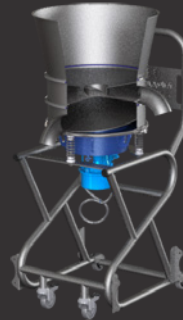
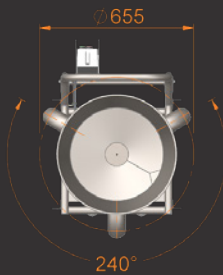
5

6

THIRD ANGLE PROJECTION



SM E-400

SM E-400
HOPPERSM E-400
LIDSM E-400
SACK TIP

DIMENSION (mm)	A	B	C	D	E	F
SM E-400-1S-L	720	825* ^A	N/C AVAILABLE	1020 ^A	150	N/C AVAILABLE
SM E-400-2S-L	720	825	930* ^A	1125 ^A	150	N/C AVAILABLE
SM E-400-1S-H	720	825* ^A	N/C AVAILABLE	1215 ^A	500	N/C AVAILABLE
SM E-400-2S-H	720	825	930* ^A	1320 ^A	500	N/C AVAILABLE
SM E-400-1S-S	720	N/C AVAILABLE	N/C AVAILABLE	1060 ^A	400	N/C AVAILABLE

*720 FROM OPTIONAL SHELF

*FOR UNDERSCREEN MAGNET, ADD 55 TO DIMENSION

ELECTRICAL	SM E-400
VOLTAGE	110 / 240 / 380-460
FREQUENCY	50 / 60 hz
POWER	0.2 kw
PHASE	1 / 3
ATEX	YES