

1

2

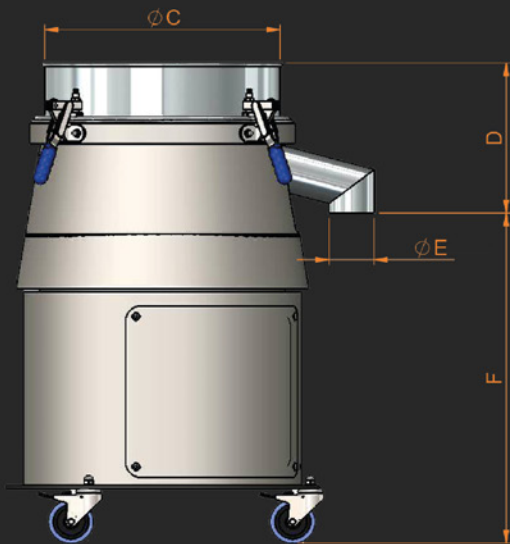
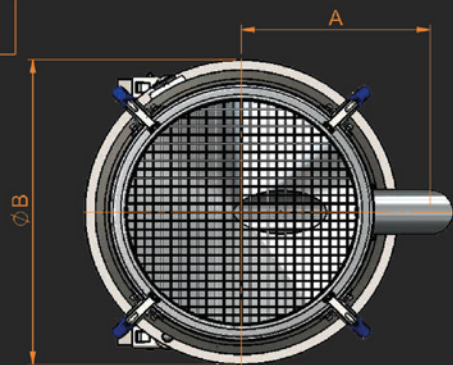
3

4

5

6

THIRD ANGLE PROJECTION



## SM 700-ST



DIMENSION	SM700-ST (mm)
A	430
B	630
C	530
D	350*
E	100
F	770

SCREEN DIAMETER = 565mm

ENCLOSED TOP &amp; OVERSIZE OUTLET AVAILABLE (REFER TO SM550-FF DRG)

\*FOR UNDERSCREEN MAGNET ASSY ADD 50mm TO 'D' DIM

ALLOW min. 50mm FOR FLEXIBLE CONNECTIONS TO INLET/OUTLET

ELECTRICAL	SM700-ST
VOLTAGE	110 / 240 / 380-460
FREQUENCY	50 / 60 hz
POWER	
PHASE	1 / 3
ATEX	YES

FOR ENCLOSED TOP GALLERY REFER TO SM550-FF DRAWING

ALL DIMS. ARE APPROX. NOT TO BE USED FOR FINAL PLANNING. FULL DRAWINGS CAN BE SUPPLIED ON REQUEST. SUBJECT TO CHANGE AT ANY TIME.