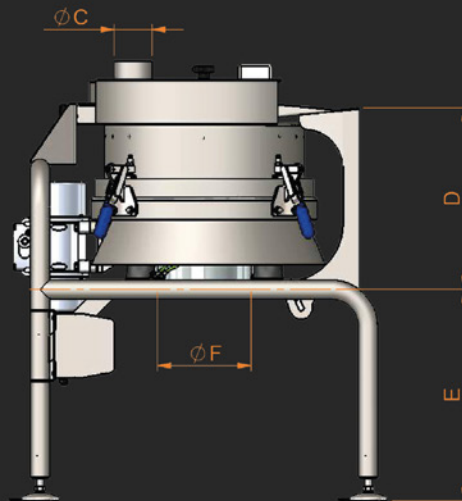
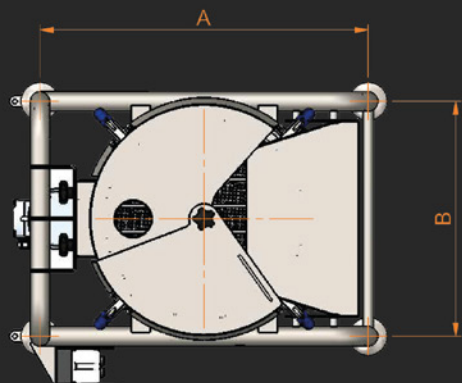


THIRD ANGLE PROJECTION



## SM SLIMLINE 553-ST5 STATION



DIMENSION	SM553-ST5 (mm)
A	870
B	580
C	100
D	470 + 'E' DIM
E	300 - 1000*
F	150 - 300

SCREEN DIAMETER = 555mm

BESPOKE FRAMES AVAILABLE - BFM/JACOB ENDS CAN BE FITTED

ALLOW min. 50mm FOR FLEXIBLE CONNECTIONS TO OUTLET

\*STEP MAY BE REQUIRED FOR OUTLET HEIGHT ABOVE 570mm

ELECTRICAL	SM553-ST5
VOLTAGE	110 / 240 / 380-460
FREQUENCY	50 / 60 hz
POWER	0.35 kw
PHASE	1 / 3
ATEX	YES 