

1

2

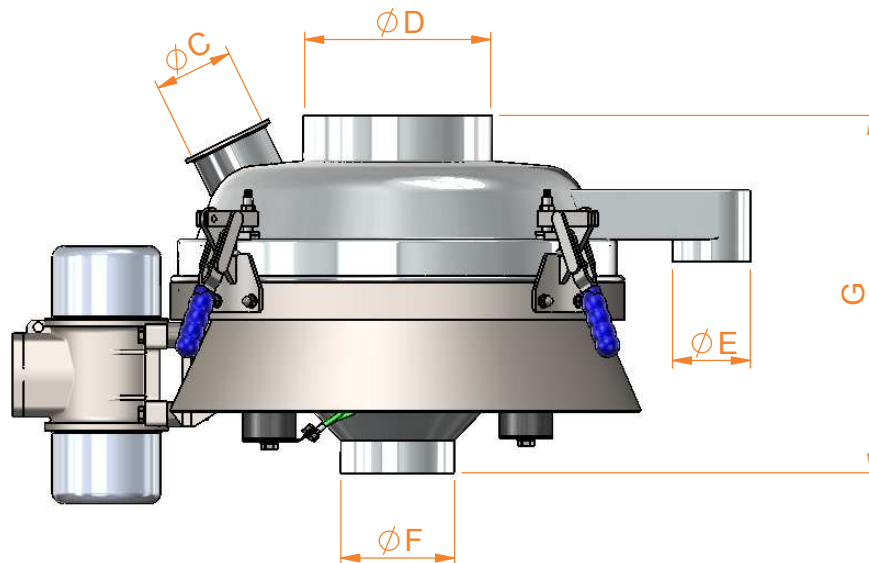
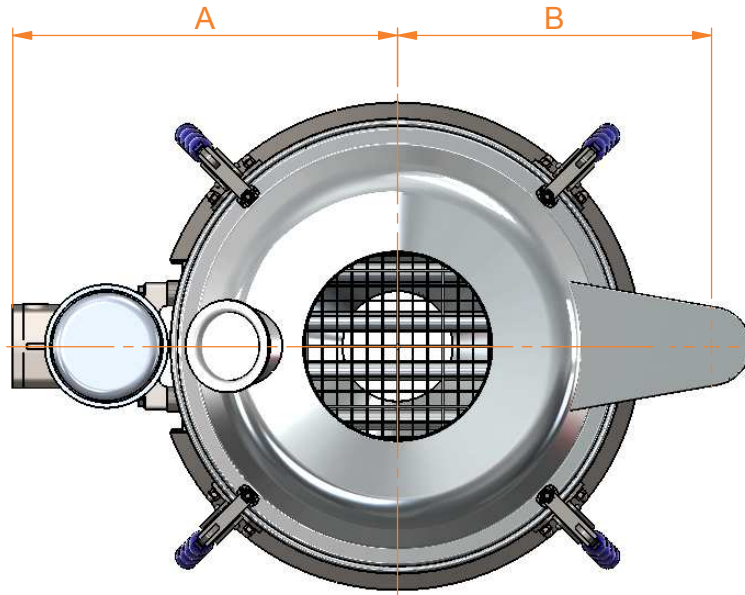
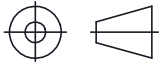
3

4

5

6

THIRD ANGLE PROJECTION



SIEVMASTER SLIMLINE 550-FF & 950-ST



DIMENSION	SM550-FF (mm)	SM950-ST (mm)
A	510	755
B	415	665
C	100 (OPTIONAL)	150 (OPTIONAL)
D	150 - 530	150 - 900
E	100 (OPTIONAL)	100/150 (OPTIONAL)
F	150 - 300	150 - 400
G	400 *	485

SCREEN DIAMETER = 565mm & 965mm

BESPOKE FRAMES AVAILABLE - BFM/JACOB ENDS CAN BE FITTED.

* FOR SM550-FF WITH UNDERSCREEN MAGNET ASSY ADD 50mm TO 'G' DIM.

ALLOW min. 50mm FOR FLEXIBLE CONNECTIONS TO INLET/OUTLET

ELECTRICAL	SM550-FF	SM950-ST
VOLTAGE	110 / 240 / 380-460	110 / 240 / 380-460
FREQUENCY	50 / 60 hz	50 / 60 hz
POWER	0.35 kw	0.9 kw
PHASE	1 / 3	1 / 3
ATEX	YES	YES

FOR SM550-FF OPEN TOP GALLERY REFER TO SM700-ST DRAWING

ALL DIMS. ARE APPROX. NOT TO BE USED FOR FINAL PLANNING. FULL DRAWINGS CAN BE SUPPLIED ON REQUEST. SUBJECT TO CHANGE AT ANY TIME.