

1

2

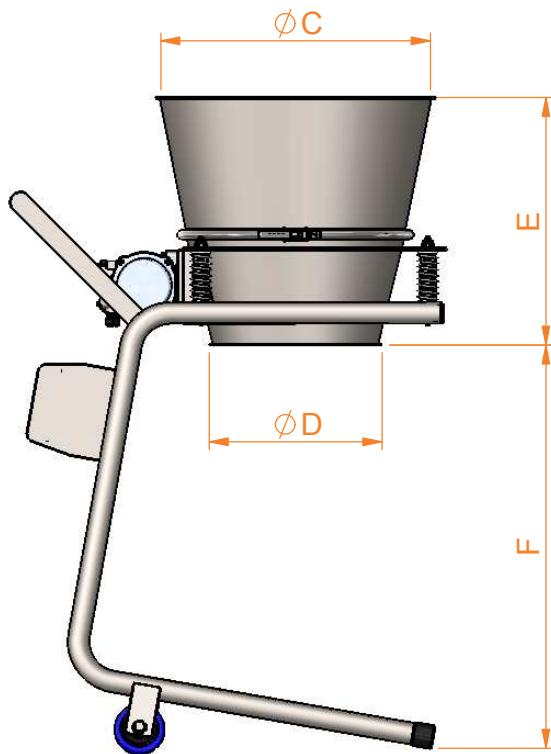
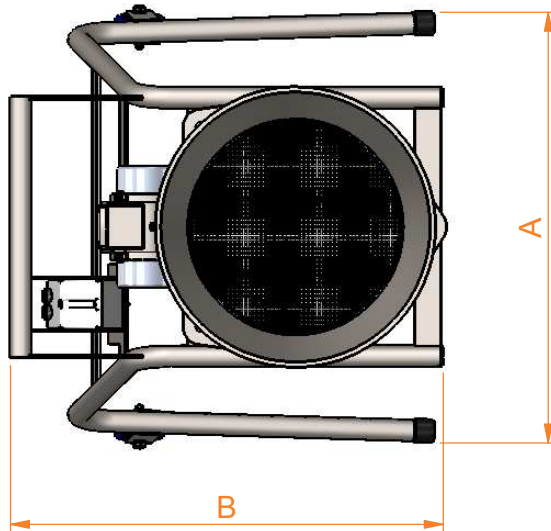
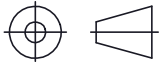
3

4

5

6

THIRD ANGLE PROJECTION



SIEVMASTER 500-S BAKERY SIEVE



DIMENSION	SM500-S (mm)
A	800
B	800
C	500
D	300
E	450
F	750

SCREEN DIAMETER = 400mm

BESPOKE FRAMES AVAILABLE - FITTED WITH DOL BOX, CABLE & PLUG

ELECTRICAL	SM500-S
VOLTAGE	110 / 240 / 380-460
FREQUENCY	50 / 60 hz
POWER	85 w
PHASE	1 / 3
ATEX	YES 