

1

2

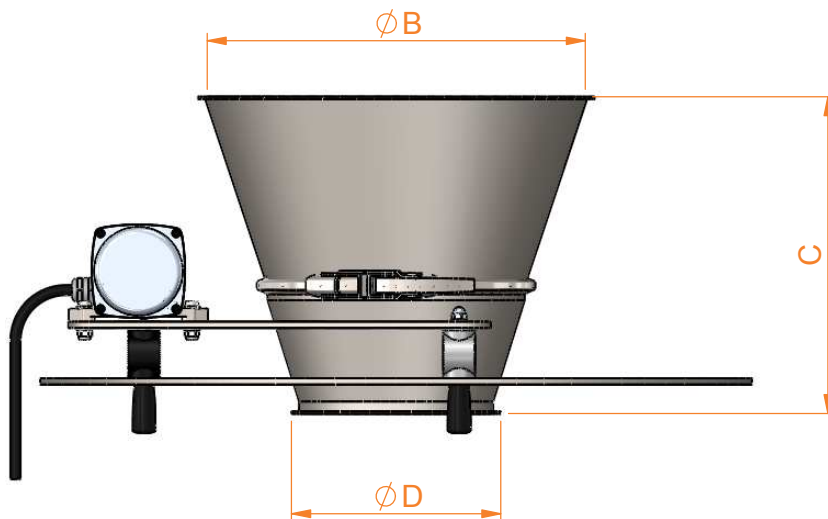
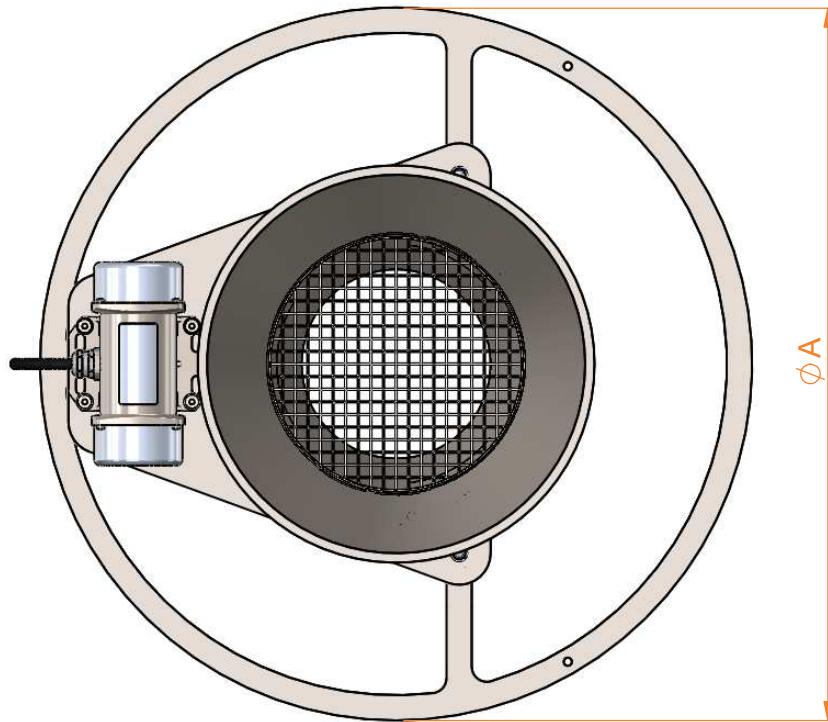
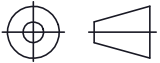
3

4

5

6

THIRD ANGLE PROJECTION



SIEVMASTER 200-S ARTISAN SIEVE



DIMENSION	SM200-S (mm)
A	565
B	300
C	250
D	150

SCREEN DIAMETER = 200mm

BENCH MOUNT LEGS GIVE OUTLET HEIGHT @ 355mm FROM GROUND

ELECTRICAL	SM200-S
VOLTAGE	110 / 240
FREQUENCY	50 / 60 hz
POWER	45 w
PHASE	1
ATEX	NO