

1

2

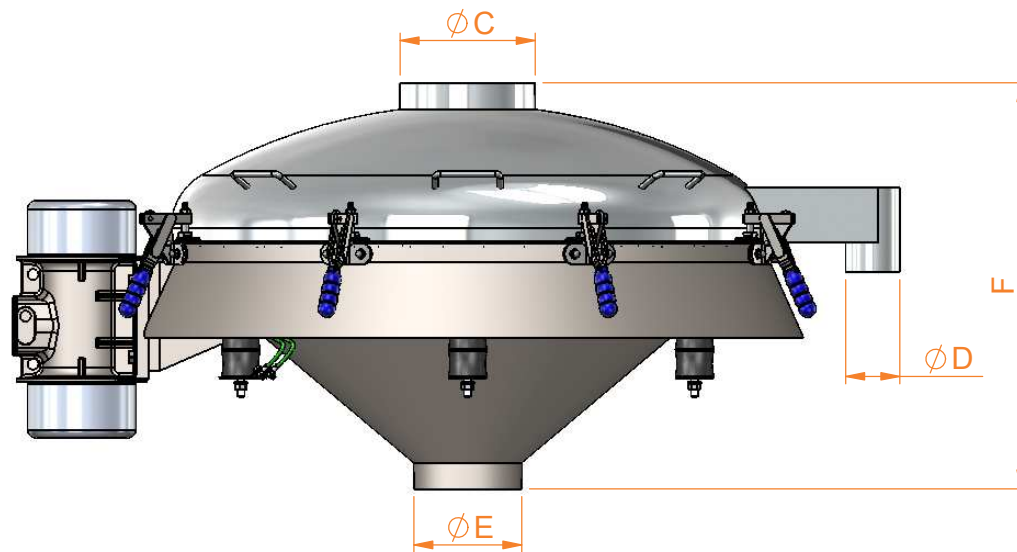
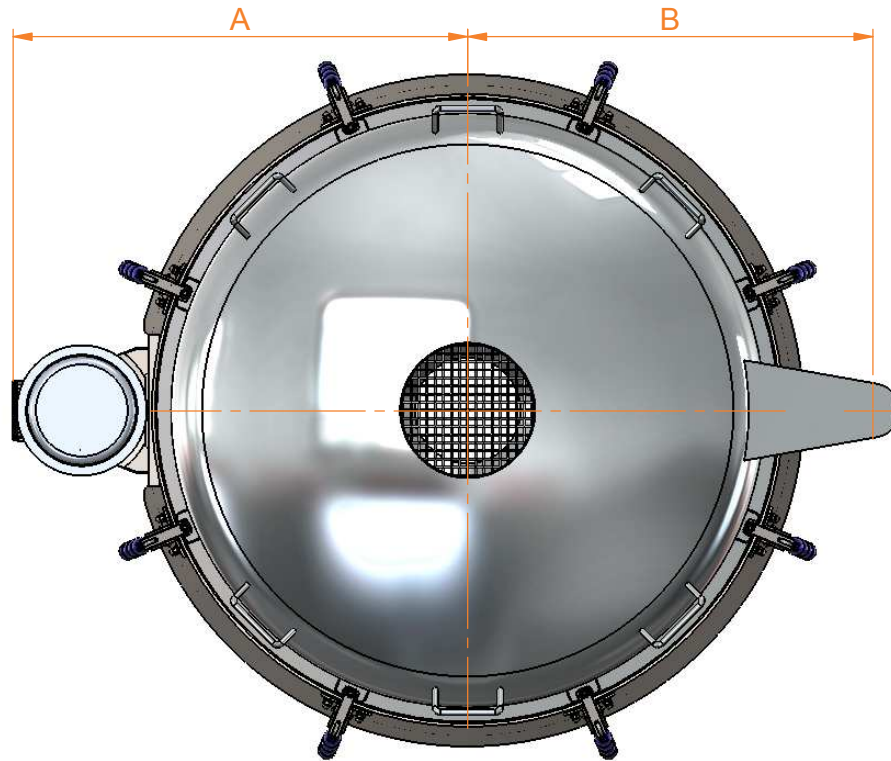
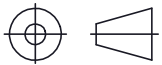
3

4

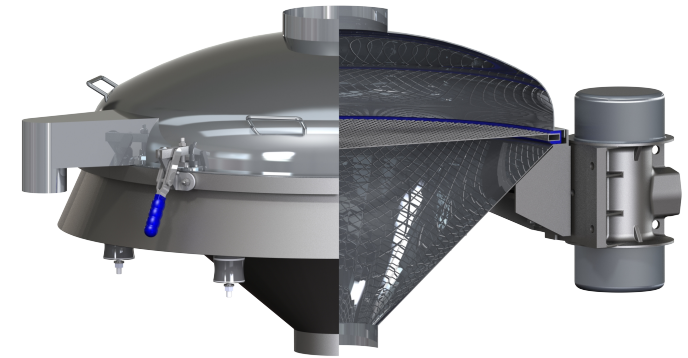
5

6

THIRD ANGLE PROJECTION



SIEVMASTER SLIMLINE 1250-ST & 1550-ST



DIMENSION	SM1250-ST (mm)	SM1550-ST (mm)
A	842	1000
B	750	950
C	150 - 900	150 - 900
D	150 (OPTIONAL)	150 (OPTIONAL)
E	150 - 600	150 - 600
F	685	1010

SCREEN DIAMETER = 1165mm & 1465mm

BESPOKE FRAMES AVAILABLE - BFM/JACOB ENDS CAN BE FITTED.
ALLOW min. 50mm FOR FLEXIBLE CONNECTIONS TO INLET/OUTLET

ELECTRICAL	SM1250-ST	SM1550-ST
VOLTAGE	110 / 240 / 380-460	110 / 240 / 380-460
FREQUENCY	50 / 60 hz	50 / 60 hz
POWER	0.9 kw	1.1 kw
PHASE	1 / 3	1 / 3
ATEX	YES	YES