

1

2

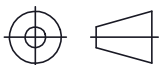
3

4

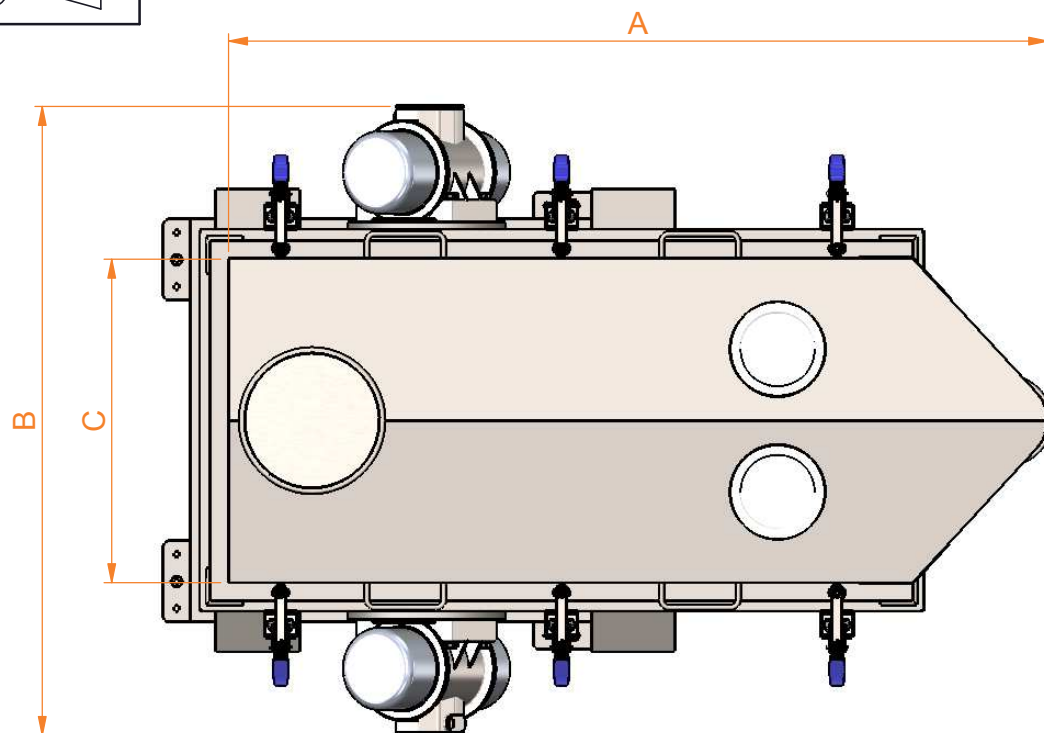
5

6

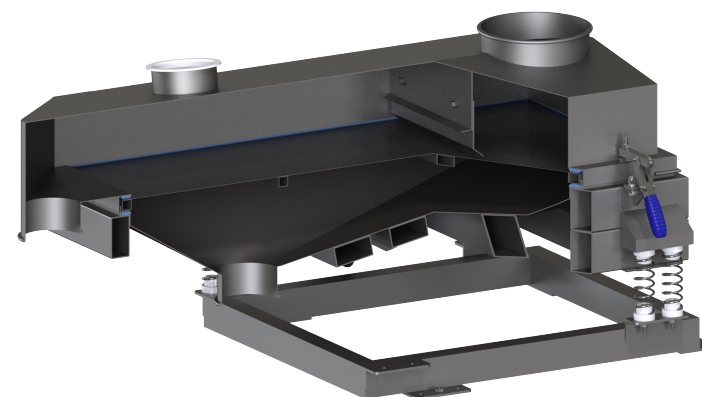
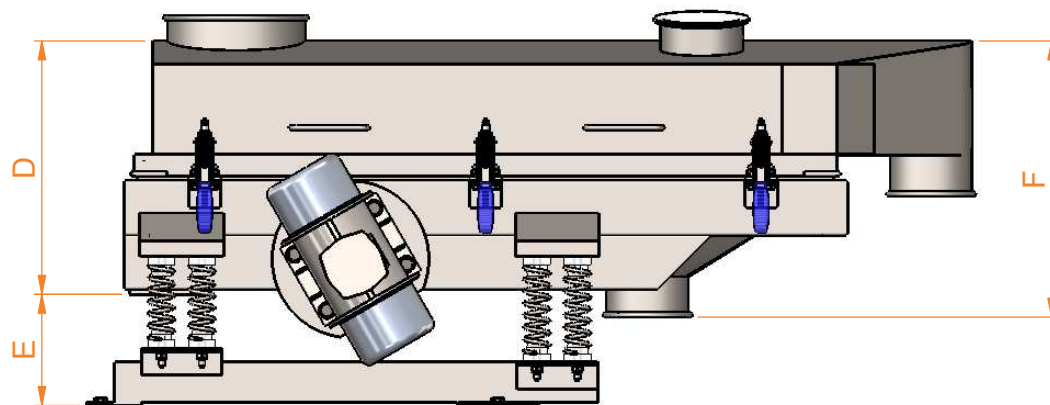
THIRD ANGLE PROJECTION



## SIEVMASTER SEGREGATOR 42 &amp; 53



TYPICAL VERSION SHOWN - UNIT CAN BE OPEN OR ENCLOSED



DIMENSION	SM SEG 42 (mm)	SM SEG 53 (mm)
A	1550	1850
B	1160	1490
C	600	900
D	555	555
E	165	165
F	500	500

SCREEN SIZE = 1245 X 645mm &amp; 1285 X 915mm

FOR ADDITIONAL DECKS ADD 180mm PER EXTRA SCREEN

BESPOKE FRAMES AVAILABLE - MOBILE OR STATIC

INLET &amp; OUTLETS CONFIGURED TO SUIT INSTALLATION - TYPICAL VERSION SHOWN

ELECTRICAL	SM SEG 42	SM SEG 53
VOLTAGE	110 / 240 / 380-460	110 / 240 / 380-460
FREQUENCY	50 / 60 hz	50 / 60 hz
POWER	0.55 kw x 2	0.55 kw x 2
PHASE	3	3
ATEX	YES	YES