

1

2

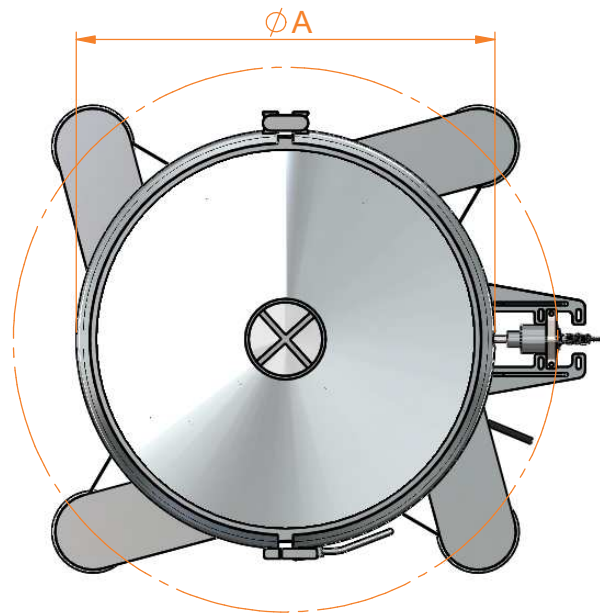
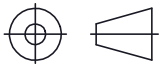
3

4

5

6

THIRD ANGLE PROJECTION

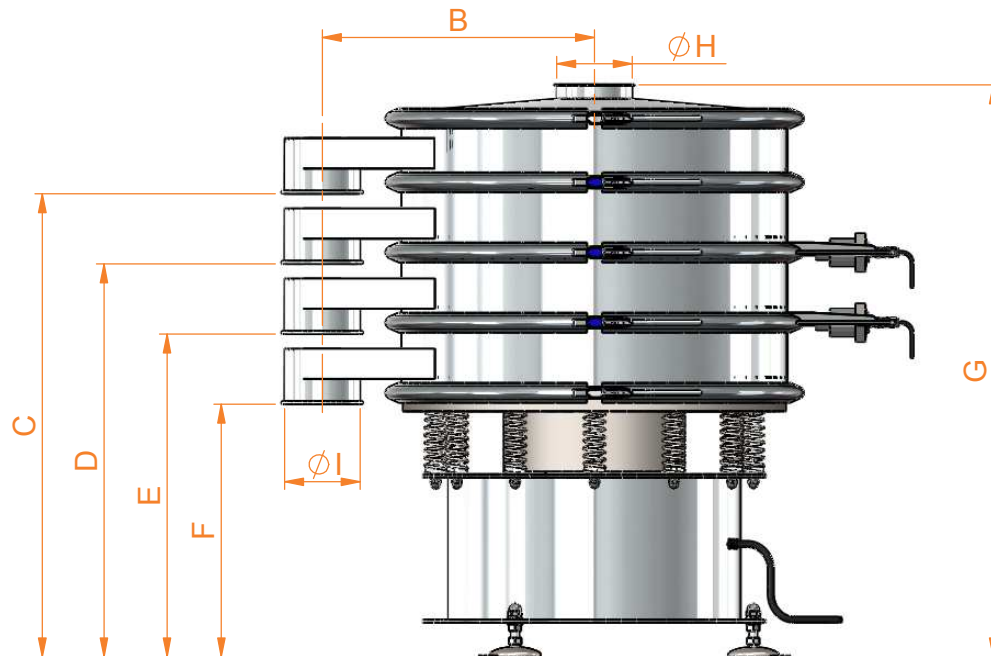


## SIEVMASTER MULTISCREEN 600, 800, 1000, 1200, 1500



A

B



C

D

DIMENSION (mm)	A	B	C	D	E	F	G	H	I
SM600-1S	600	400	----	----	450	320	630	180	100
SM600-2S	600	400	----	575	450	335	765	180	100
SM600-3S	600	400	725	595	450	345	905	180	100
SM800-1S	800	540	----	----	530	375	780	200	125
SM800-2S	800	540	----	675	525	375	905	200	125
SM800-3S	800	540	815	675	525	375	1055	200	125
SM1000-1S	970	645	----	----	575	435	825	250	150
SM1000-2S	970	645	----	745	575	430	985	250	150
SM1000-3S	970	645	895	745	595	450	1125	250	150
SM1200-1S	1170	750	----	----	720	545	995	250	180
SM1200-2S	1170	750	----	865	700	535	1165	250	180
SM1200-3S	1170	750	1025	865	700	525	1320	250	180
SM1500-1S	1470	930	----	----	780	570	1090	250	200
SM1500-2S	1470	930	----	950	760	570	1280	250	200
SM1500-3S	1470	930	1140	950	760	570	1480	250	200

SCREEN DIAMETER = REFER TO 'A' DIM

FLEXIBLE CONNECTIONS TO INLET &amp; OUTLETS - MOBILE VERSION AVAILABLE.

ULTRASONICS SHOWN FOR REFERENCE - OPTIONAL ITEM.

ELECTRICAL	SM600	SM800	SM1000	SM1200	SM1500
VOLTAGE	110 / 240 / 380-460	110 / 240 / 380-460	110 / 240 / 380-460	110 / 240 / 380-460	110 / 240 / 380-460
FREQUENCY	50 / 60 hz	50 / 60 hz	50 / 60 hz	50 / 60 hz	50 / 60 hz
POWER	0.55 kw	0.75 kw	1.5 kw	1.5 kw	2.2 kw
PHASE	3	3	3	3	3
ATEX	YES	YES	YES	YES	YES