

1

2

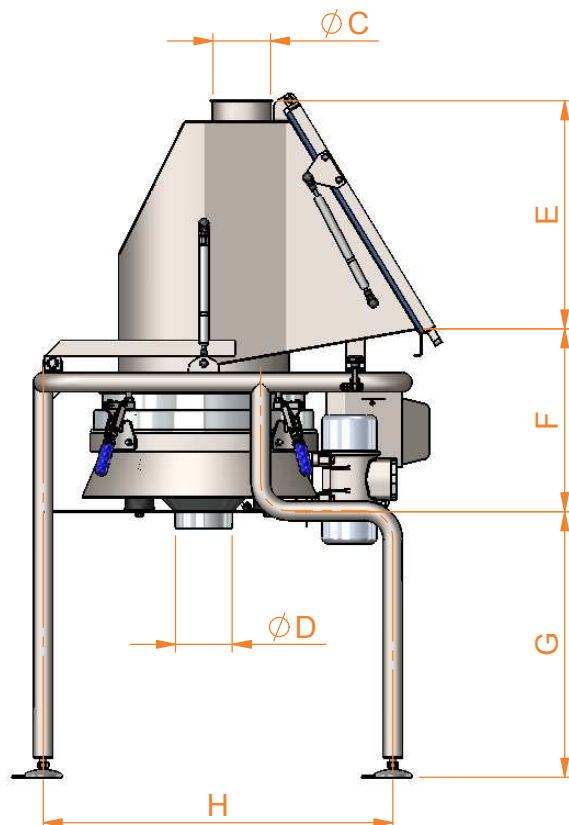
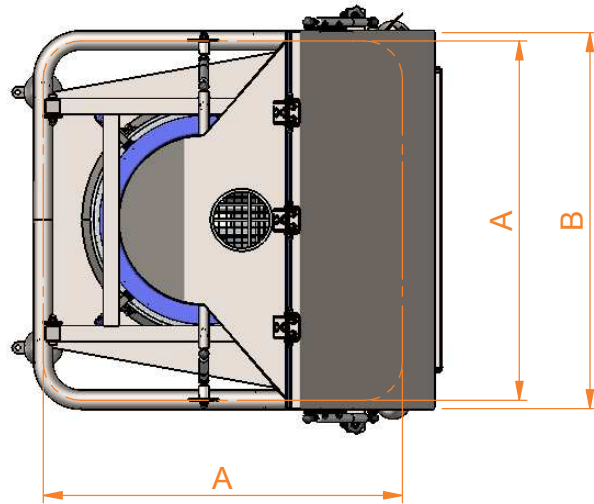
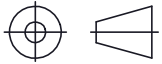
3

4

5

6

THIRD ANGLE PROJECTION



SIEVMASTER EASILIFT 550 & 950



DIMENSION	SM-ESL-550 (mm)	SM-ESL-950 (mm)
A	1050	1300
B	1000	1250
C	150	150
D	150 - 300 *	150 - 400 *
E	610	610
F	510	632
G	300 - 1000*	300 - 1000*
H	900	1100

SCREEN DIAMETER = 565mm & 965mm

** FOR OUTLET HEIGHTS OVER 450/300mm STEP MAY BE REQUIRED

* AVAILABLE WITH OUTLET SUITABLE FOR CONNECTION TO VACUUM LINE

ELECTRICAL	SM-ESL-550	SM-ESL-950
VOLTAGE	110 / 240 / 380-460	110 / 240 / 380-460
FREQUENCY	50 / 60 hz	50 / 60 hz
POWER	0.35 kw	0.9 kw
PHASE	1 / 3	1 / 3
ATEX	YES	YES