

1

2

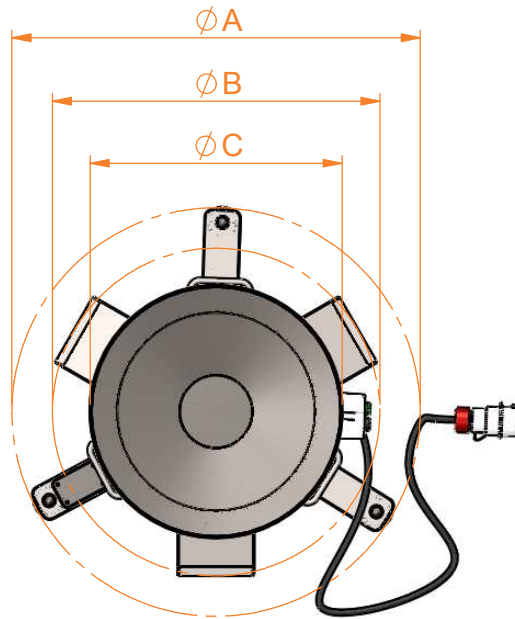
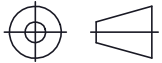
3

4

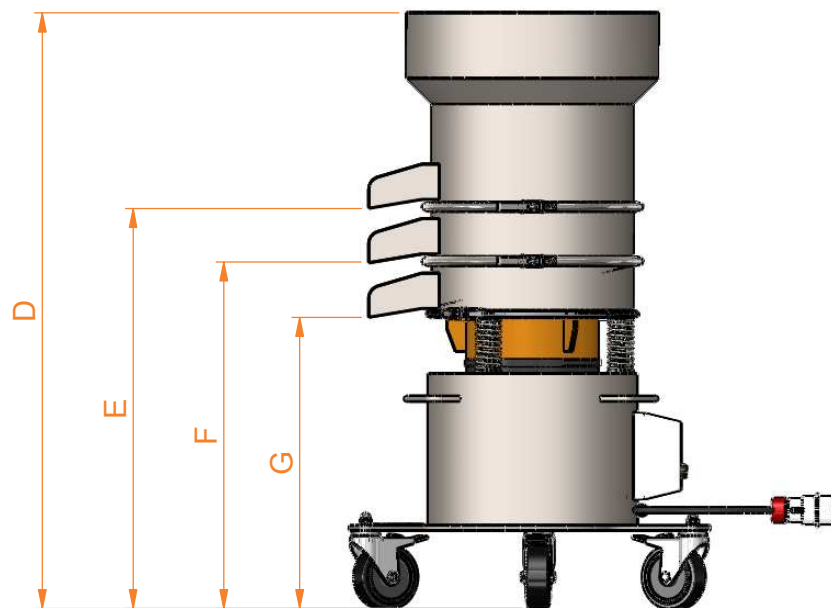
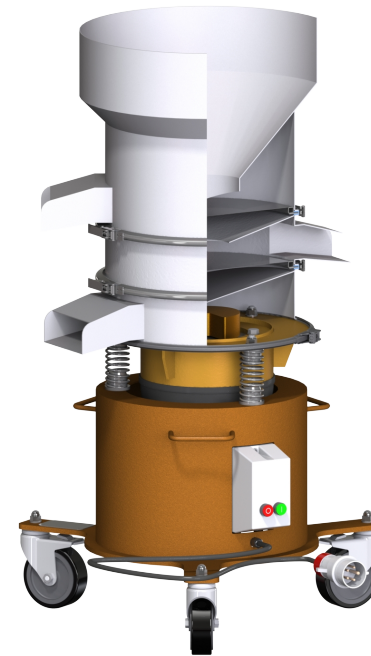
5

6

THIRD ANGLE PROJECTION




## SIEVMASTER E-GRADER



DIMENSION (mm)	A	B	C	D	E	F	G
SM E-GRADER-1S	800	530	500	1110	735	---	632
SM E-GRADER-2S	800	530	500	1210	835	734	632

SCREEN DIAMETER = 400mm

FLEXIBLE CONNECTIONS TO OUTLETS MUST HAVE DOWNTURN OPTION  
1400 & 3000 RPM ELECTRIC. DRIVES. PNEUMATIC POWERED OPTION.

ELECTRICAL	SM E-GRADER
VOLTAGE	110 / 240 / 380-460
FREQUENCY	50 / 60 hz
POWER	0.35 kw
PHASE	1 / 3
ATEX	 YES